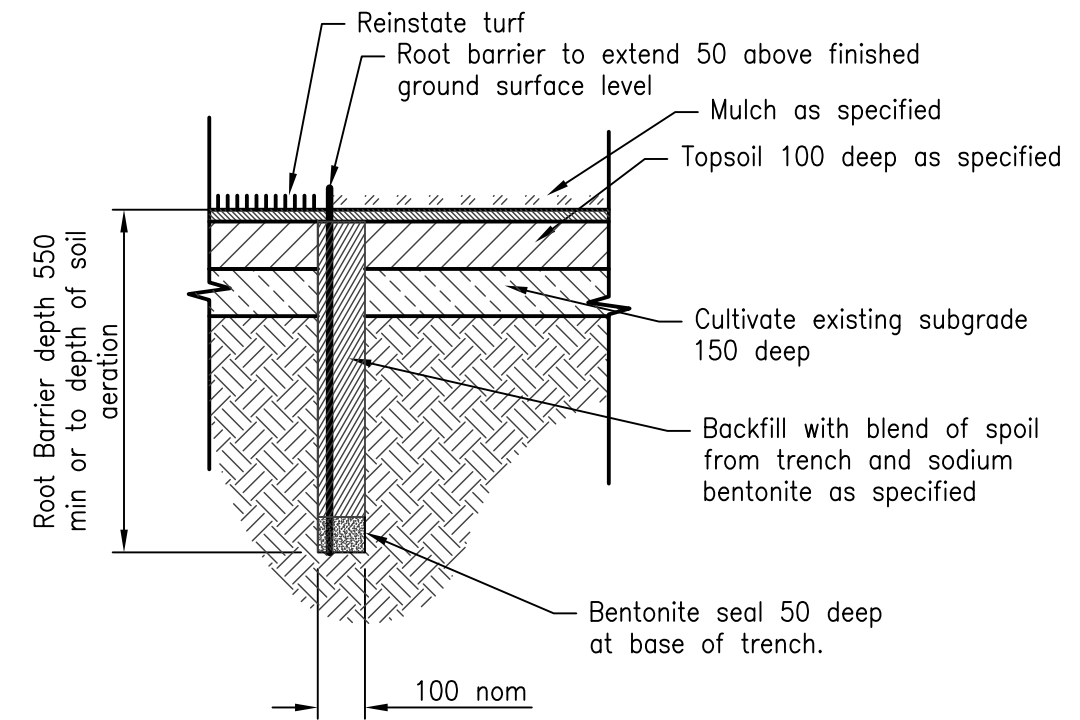


**ELEVATION
PLANTING AND STAKING**



ROOT BARRIER
Refer to manufacturers specification, location of Root barrier as directed.

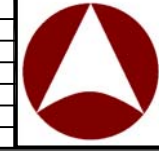
CAUTION
Verify location of services prior to commencement of work

NOTES:

1. Plant types as specified, refer project documentation. Prior to planting pre water hole and allow to soak away.
2. Form a saucer shaped depression around base of tree and water immediately.
3. Planting shall be a minimum of 650 from the back of kerb.
4. Provide gravel filter and connect to an outlet pipe where directed. Refer to grading requirements on RS-140.
5. For planting in medians refer to GS-011 and GS-012.
6. Garden bed organic mulch to conform to AS 4419 unless otherwise specified.
7. All dimensions are in millimetres unless shown otherwise.

These drawings have been developed in consultation between the participating Councils. BEFORE USE, the user shall confirm that the drawing has been adopted by the appropriate Council.

Rv.	DATE	REVISIONS
D	06/14	Review
C	03/14	Amended Drawing Number
B	03/13	Drawing number changed from SEQ G-010 to GS-010
A	01/10	ORIGINAL ISSUE



INSTITUTE OF PUBLIC WORKS ENGINEERING AUSTRALASIA
STANDARD DRAWINGS

LANDSCAPING
STREET TREE PLANTING DETAILS
INCLUDING ROOT BARRIERS

GS-010

D
C
B
A
Rv.